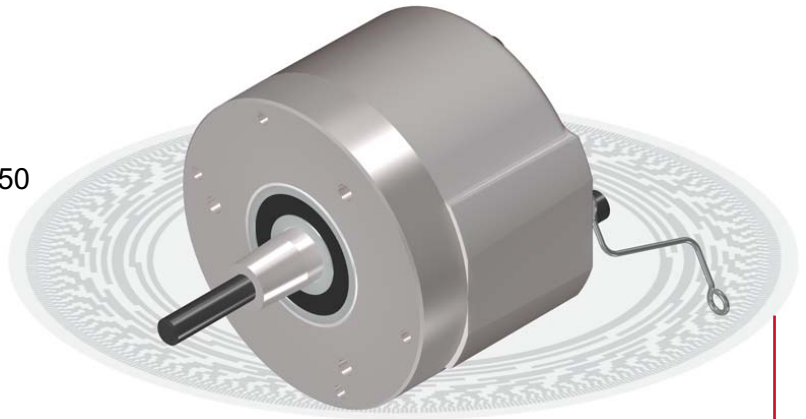


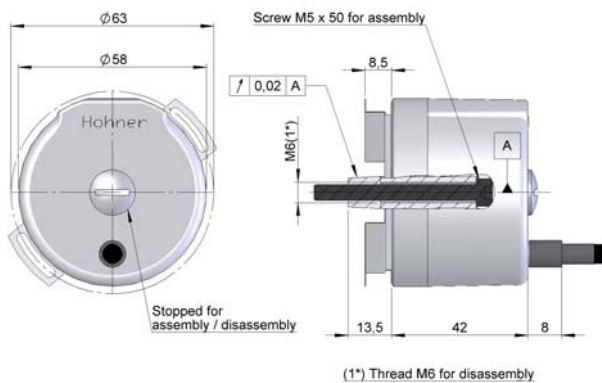
SERIE 64 SIN/COS

CONIC SHAFT INCREMENTAL ENCODER FOR INDUSTRIAL APPLICATIONS

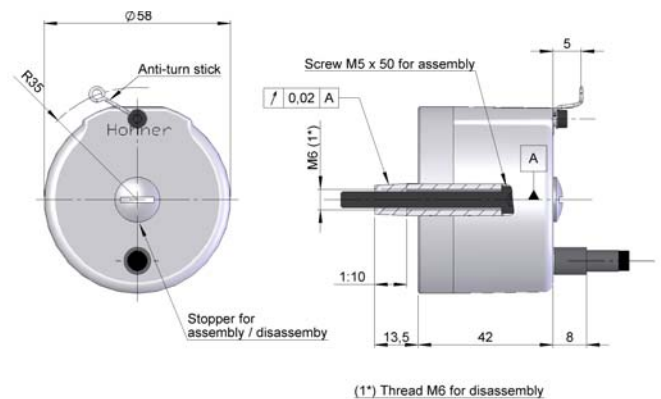
- Available 1024 and 2048 pulses
- External diameter 58 mm
- Conic shaft 1:10
- Protection class IP54 according to DIN 40050
- Connection by cable (any cable length available) or industrial connector



Antirotation for elastic flange



Antirotation bar



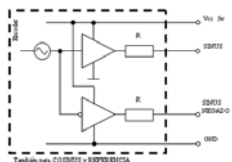
Previous mounting and installation of the encoder is recommended to read the section "TECHNICAL CONSIDERATIONS".

MECHANICAL SPECIFICATIONS

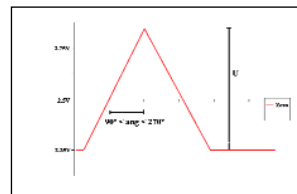
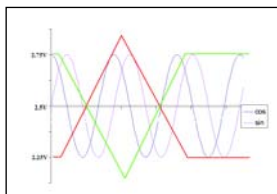
Housing	Aluminium.
Shaft	Stainless Steel.
Bearings	Ballraces.
Bearings lifetime	1x10 ¹⁰ rev.
Maximum number of revolutions permitted mechanically	6000 rpm.
Protection against dust and splashes according to DIN 40050	IP54.
Rotor inertia moment	30 gcm ² .
Starting torque at 20°C (68°F) ,	Max. / 2,0 Ncm.
Maximum load permitted on axial shaft	40 N.
Maximum load permitted on radial shaft	60 N.
Weight aprox.	0,5 Kg.
Operating temperature range	-20°C to +80°C.
Vibration	100 m/s ² (10Hz...2000Hz).
Shock	1000 m/s ² (6ms).
Pulses number available	1024 and 2048.
Axial connection	Cable 2 metres.

ELECTRICAL SPECIFICATIONS

OUTPUT SIGNALS



	Sine-Wave
Power supply	5 V ±5%
Consumption	Typical: 80 mA Max: 150 mA
Max. load capability	90° Electrics
Length of cable allowed	50 m
Signal type	Sin/Cos
Output signal level	0.6 a 1.2 Vpp
Reference	0.2 a 1 V
Frequency	200 kHz
Protection against polarity inversion	No



CONNECTION



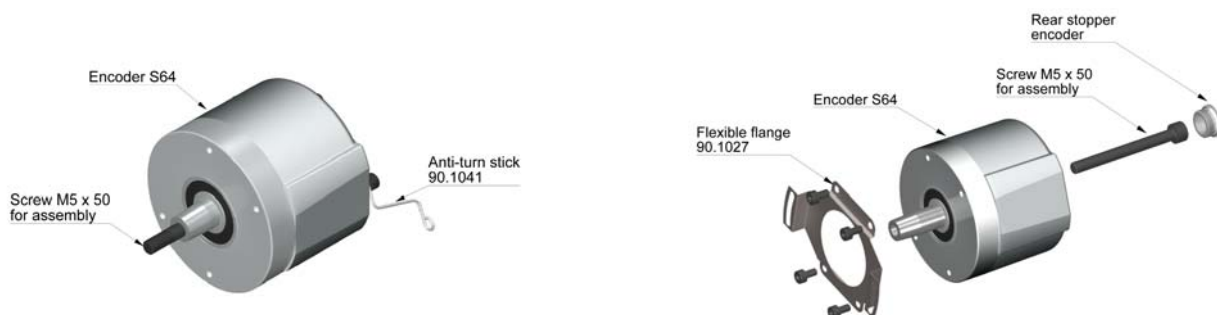
Cable 3x2x0,14+2x0,34

GND	Black
Vcc	Red
A	Yellow
B	Green
A inverted	Brown
B inverted	Blue
0 (reference)	Grey
0 inverted	Orange

ORDERING CODE

SERIE	SHAFT	ANTIROTATION SYSTEM	OUTPUT SIGNALS	CONNECTION	ELECTRONIC OUTPUT	PULSES NUMBER	SPECIAL CUSTOMER
64S	● 1- Conic 1:10	● ↓ 1- Elastic flange 90.1027 2- Antirotation bar 90.1041 3- None	● 1- A \tilde{A} + B \tilde{B} + 0 $\tilde{0}$ 2- A \tilde{A} + B \tilde{B}	● 1- Axial cable	● 7- SIN/COS 1Vpp 5V.	● ● ● ● ● ● ●	● ● ● ● ●

ACCESSORIES



All the accessories available in the sections "SIGNAL CONDITIONERS" and "MOUNTING ACCESSORIES".