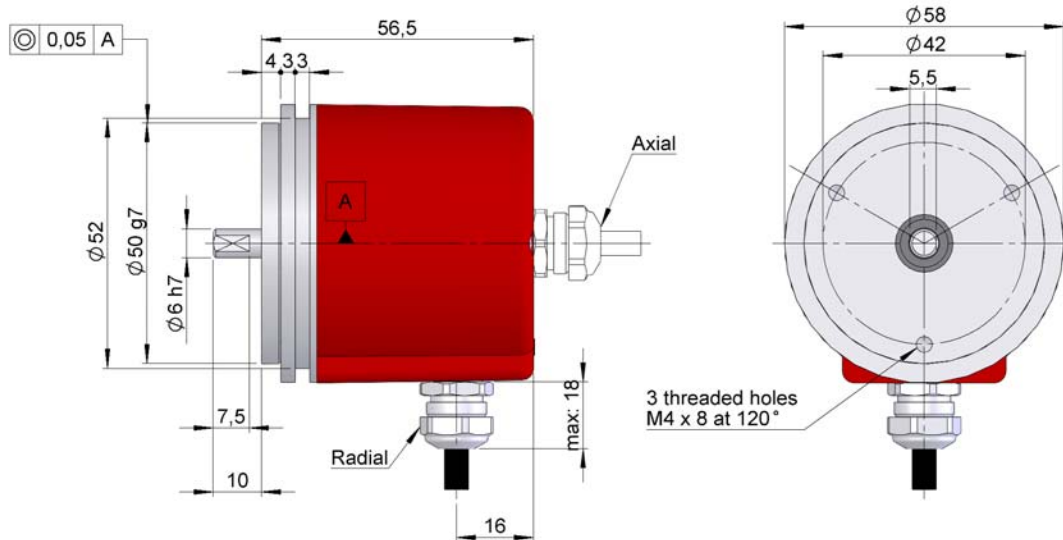
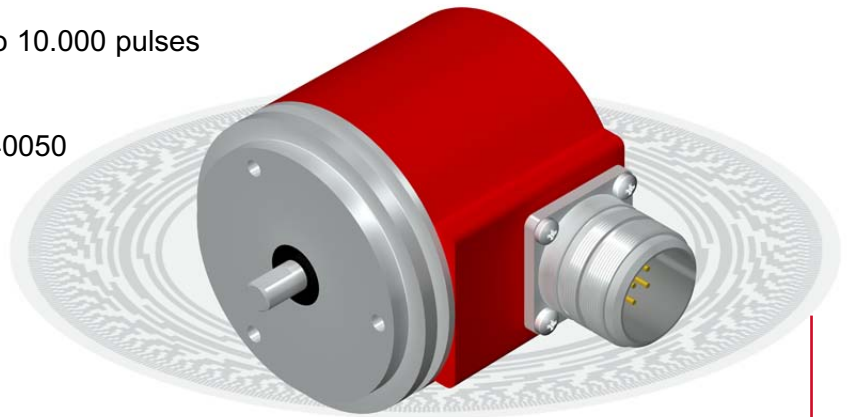


# SERIE 58

## INCREMENTAL SOLID SHAFT ENCODER FOR INDUSTRIAL APPLICATIONS

- Any number of pulses available from 1 to 10.000 pulses
- External diameter 58 mm
- Shaft 6 mm
- Protection class IP65 according to DIN 40050
- Synchro flange
- Connection by cable (any cable length available) or industrial connector



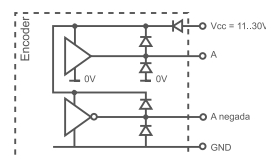
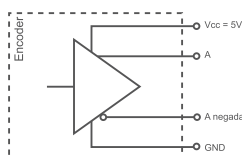
Previous mounting and installation of the encoder is recommended to read the section "TECHNICAL CONSIDERATIONS".

### MECHANICAL SPECIFICATIONS

Housing	Aluminium.
Shaft	Stainless Steel.
Bearings	Ballraces.
Bearings lifetime	1x10 <sup>10</sup> rev.
Maximum number of revolutions permitted mechanically	6000 rpm.
Protection against dust and splashes according to DIN 40050	IP65.
Rotor inertia moment	30 gcm <sup>2</sup> .
Starting torque at 20°C (68°F) ,	Max. / 2,0 Ncm.
Maximum load permitted on axial shaft	40 N.
Maximum load permitted on radial shaft	60 N.
Weight aprox.	0,5 Kg.
Operating temperature range	-20°C to +80°C.
Vibration	100 m/s <sup>2</sup> (10Hz...2000Hz).
Shock	1000 m/s <sup>2</sup> (6ms).
Maximum pulses per turn	10.000.
Axial or radial connection	Cable 2 metres or industrial connector (other cable length available on order)

## ELECTRICAL SPECIFICATIONS

### OUTPUT SIGNALS



	RS422 (TTL compatible)	Push-Pull Differential
Power supply	5 V ±5%	11...30 V
Consumption	Typical: 70 mA Max: 150 mA	Typical: 45 mA Max: 150 mA
Max. load capability	±20 mA	±30 mA
Length of cable allowed	1200 m	100 m
"Low" signal level	$V_{OL} < 0,5 V$	$V_{OL} < 2.5 V$
"High" signal level	$V_{OH} > 2.5 V$	$V_{OH} > V_{cc} - 3 V$
Frequency	300 kHz	200 kHz
Short circuit protection	Yes	Yes
Protection against polarity inversion	No	Yes
Channel B leads (90° electric) channel A		

### CONNECTION

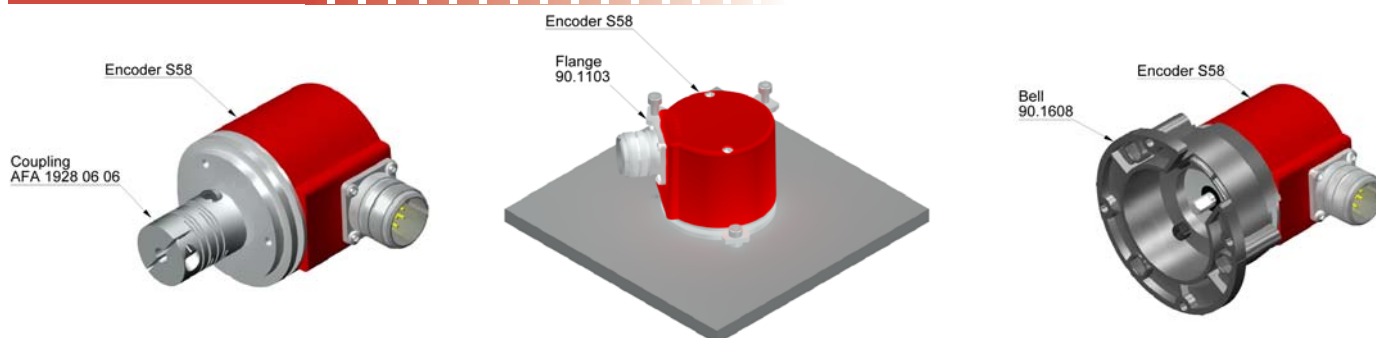


	Cable 3x2x0,14+2x0,34	90.9508 M12 8p	90.9512 M23 12p
GND	Black	1	1
Vcc	Red	2	2
A	Yellow	3	3
B	Green	4	4
A inverted	Brown	5	5
B inverted	Blue	6	6
0 (reference)	Grey	7	7
0 inverted	Orange	8	8

## ORDERING CODE

SERIE	SHAFT	FLANGE	OUTPUT SIGNALS	CONNECTION	ELECTRONIC OUTPUT	PULSES NUMBER	SPECIAL CUSTOMER
58	● 1- Ø6 x 10 mm	● 1- Synchro	● 1- $\tilde{A}\tilde{A} + \tilde{B}\tilde{B} + 0\tilde{0}$ 2- $\tilde{A}\tilde{A} + \tilde{B}\tilde{B}$	● 1- Axial cable 2- Radial cable 3- Axial 90.9512 4- Radial 90.9512 5- Axial 90.9508 6- Radial 90.9508	● 1- Differential line driver. Push-Pull 11..30V 2- Standard RS422. 5V.	●●●●●●●●	●●●●●●●●

## ACCESSORIES



All the accessories available in the sections "SIGNAL CONDITIONERS" and "MOUNTING ACCESSORIES".