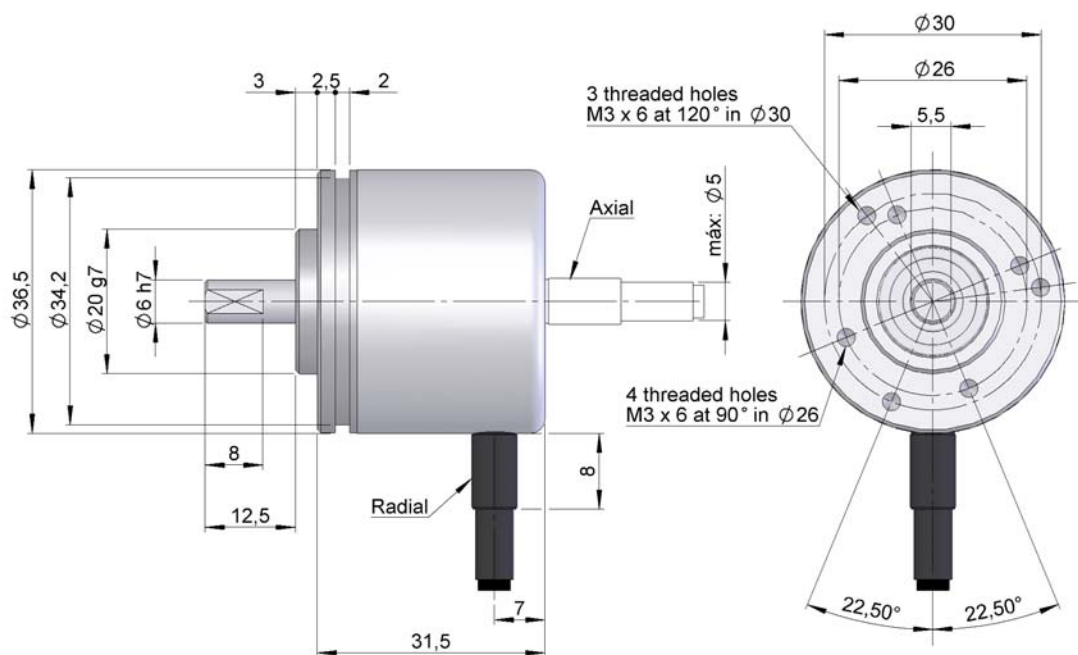


SERIE 36

INCREMENTAL SOLID SHAFT ENCODER FOR INDUSTRIAL APPLICATIONS

- Resolution up to 3600 pulses per turn
- External diameter 36,5 mm
- Shaft 6 mm
- Protection class IP64 according to DIN 40050
- Excellent flange flexibility and various configurations
- Special mechanical, electronic and optical available on order
- Connection by cable (any cable length available) or air industrial connector



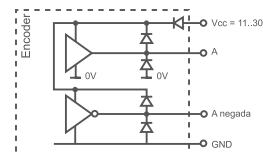
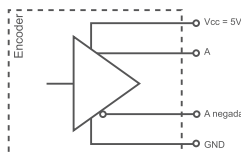
Previous mounting and installation of the encoder is recommended to read the section "TECHNICAL CONSIDERATIONS".

MECHANICAL SPECIFICATIONS

Housing	Aluminium.
Shaft	Stainless Steel.
Bearings	Ballraces.
Bearings lifetime	1x10 ¹⁰ rev.
Maximum number of revolutions permitted mechanically	6000 rpm.
Protection against dust and splashes according to DIN 40050	IP64.
Rotor inertia moment	30 gcm ² .
Starting torque at 20°C (68°F) ,	Max. / 0,5 Ncm.
Maximum load permitted on axial shaft	20 N.
Maximum load permitted on radial shaft	40 N.
Weight aprox.	0,08 Kg.
Operating temperature range	-20°C to +80°C.
Vibration	100 m/s ² (10Hz...2000Hz).
Shock	1000 m/s ² (6ms).
Maximum pulses per turn	3600.
Axial or radial connection	Cable 2 metres (other cable length available on order)

ELECTRICAL SPECIFICATIONS

OUTPUT SIGNALS



	RS422 (TTL compatible)	Push-Pull Differential
Power supply	5 V \pm 5%	11...30 V
Consumption	Typical: 70 mA Max: 150 mA	Typical: 45 mA Max: 150 mA
Max. load capability	\pm 20 mA	\pm 30 mA
Length of cable allowed	1200 m	100 m
"Low" signal level	$V_{OL} < 0,5 V$	$V_{OL} < 2,5 V$
"High" signal level	$V_{OH} > 2,5 V$	$V_{OH} > V_{cc} - 3 V$
Frequency	300 kHz	200 kHz
Short circuit protection	Yes	Yes
Protection against polarity inversion	No	Yes
Channel A leads (90° electric) channel B		

CONNECTION

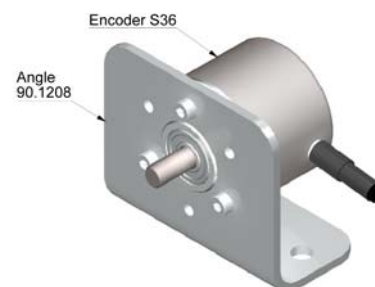
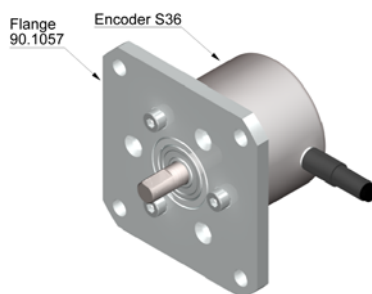


	Cable 5x0,14	Cable 8x0,14
GND	White	White
Vcc	Brown	Brown
A	Green	Green
B	Yellow	Grey
A inverted		Yellow
B inverted		Rose
0 (reference)	Grey	Blue
0 inverted	Grey	Red

ORDERING CODE

SERIE	FIXATION	OUTPUT SIGNALS	CONNECTION	ELECTRONIC OUTPUT	PULSES NUMBER	SPECIAL CUSTOMER
36	● 1- Clamping	● 3- A + B + 0 7- AA + BB + 00	● 1- Axial cable 2- Radial cable	● 1- Differential line driver. Push-Pull 11..30V 2- Standard RS422. 5V. Compatible TTL	●●●●●●●●	●●●●●●●●

ACCESSORIES



All the accessories available in the sections "SIGNAL CONDITIONERS" and "MOUNTING ACCESSORIES".