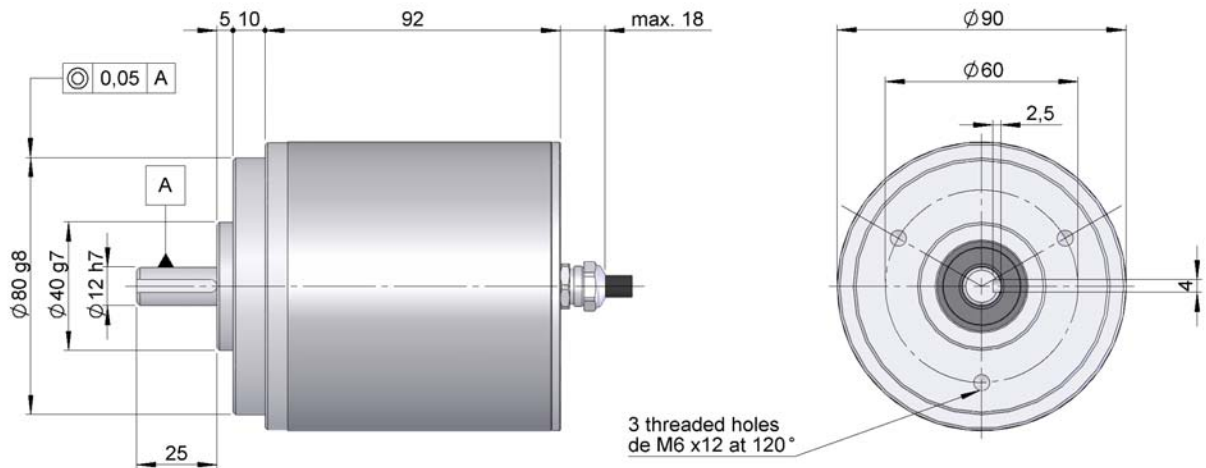


SERIE 30 IP67

SOLID SHAFT INCREMENTAL ENCODER FOR SEVERE AND HEAVY DUTY INDUSTRIAL APPLICATIONS

- Any number of pulses available from 1 to 10.000 pulses
- External diameter 90 mm
- Shaft 12 mm
- Protection class IP67 according to DIN 40050
- Executions mechanical, electronic and special optics available on request
- Connection by cable (any cable length available) or industrial connector



Previous mounting and installation of the encoder is recommended to read the section "TECHNICAL CONSIDERATIONS".

MECHANICAL SPECIFICATIONS

Housing	Aluminium/Stainless Steel.
Shaft	Stainless Steel.
Bearings	Ballraces.
Bearings lifetime	1x10 ¹⁰ rev.
Maximum number of revolutions permitted mechanically	6000 rpm.
Protection against dust and splashes according to DIN 40050	IP67.
Rotor inertia moment	270 gcm ² .
Starting torque at 20°C (68°F) ,	Max. / 5,0 Ncm.
Maximum load permitted on axial shaft	80 N.
Maximum load permitted on radial shaft	100 N.
Weight aprox.	1,2 Kg.
Operating temperature range	-20°C to +80°C.
Vibration	100 m/s ² (10Hz...2000Hz).
Shock	1000 m/s ² (6ms).
Maximum pulses per turn	10.000.
Axial or radial connection	Cable 2 metres (other cable length available on order).

