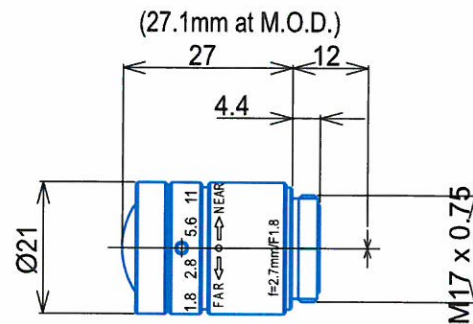
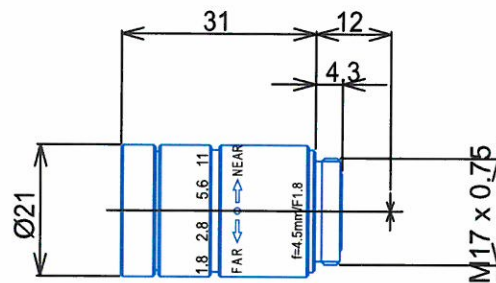


NF-Mount Lenses

Item No. GM12718NF



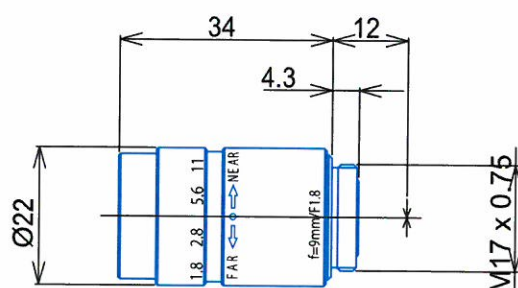
| ITEM NO. | | GM12718NF |
|------------------------------|------|------------------------------|
| Focal Length | | 2.7 (mm) |
| Iris Range | | F1.8 - 11 |
| Angle of View (H x V x D) | 1/3" | 100.8° x 75.5° x 125.9° |
| MOD | | 0.1 (m) |
| Filter Thread | | - |
| Dimension (D x L) | | $\varnothing 21$ x 27.1 (mm) |
| Weight | | 26 (g) |
| Notes | | NF(M17x0.75) |

NF-Mount Lenses**Item No. GM14518NF**

| ITEM NO. | | GM14518NF |
|------------------------------|------|---------------------------------|
| Focal Length | | 4.5 (mm) |
| Iris Range | | F1.8 - 11 |
| Angle of View (H x V x D) | 1/3" | 59.2° x 45.0° x 72.5° |
| MOD | | 0.1 (m) |
| Filter Thread | | - |
| Dimension (D x L) | | $\varnothing 21 \times 31$ (mm) |
| Weight | | 35 (g) |
| Notes | | NF-Mount(M17x0.75) |

NF-Mount Lenses

Item No. GM19018NF



| ITEM NO. | | GM19018NF |
|------------------------------|------|-----------------------------|
| Focal Length | | 9.0 (mm) |
| Iris Range | | F1.8 - 11 |
| Angle of View (H x V x D) | 1/3" | 30.2° x 22.8° x 37.6° |
| MOD | | 0.1 (m) |
| Filter Thread | | - |
| Dimension (D x L) | | $\text{Ø}22 \times 34$ (mm) |
| Weight | | 40 (g) |
| Notes | | NF(M17x0.75) |