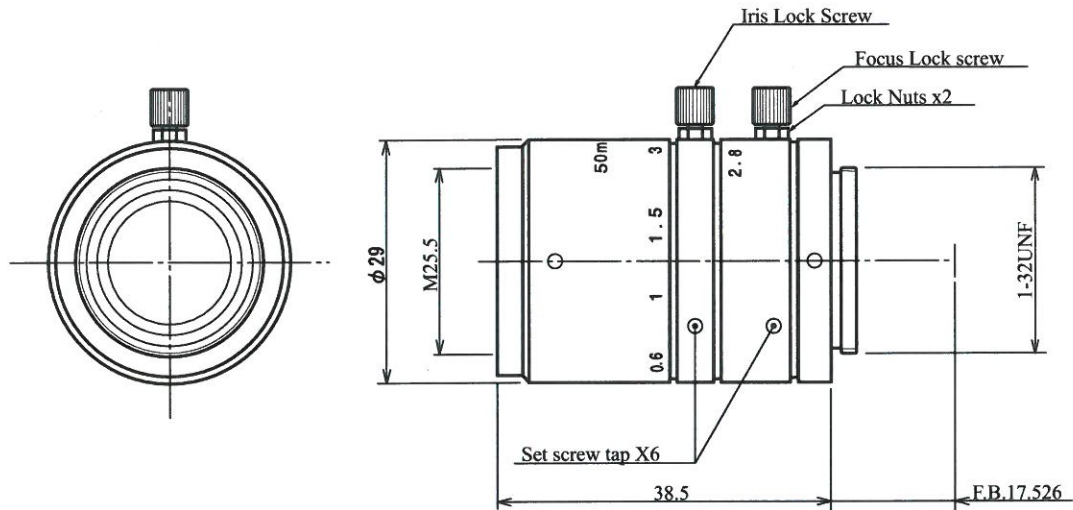


High Resolution Lenses

Item No. GMTHR35028MCN



ITEM NO.		GMTHR35028MCN
Focal Length		50.0 (mm)
Iris Range		F2.8 - 22
Angle of View (H x V x D)	1/2"	7.3° x 5.5° x 9.0°
	2/3"	10.0° x 7.5° x 12.4°
MOD		0.5 (m)
Filter Thread		M=25.5, P=0.75
Dimension (D x L)		φ 29 x 39 (mm)
Weight		60 (g)
Notes		3megapixel

GOYO OPTICAL Inc.

Japanese Office

3-8-31 HAMAZAKI,
 ASAKA,
 SAITAMA 351-0033,
 JAPAN,
 TEL:048-474-2235
 FAX:048-474-7373
 E-MAIL:info@goyooptical.com



Metric Industrial AB
 Sjöängsvägen 5
 192 72 SOLLENTUNA
 Tel : 08-626 48 40
www.metric.se