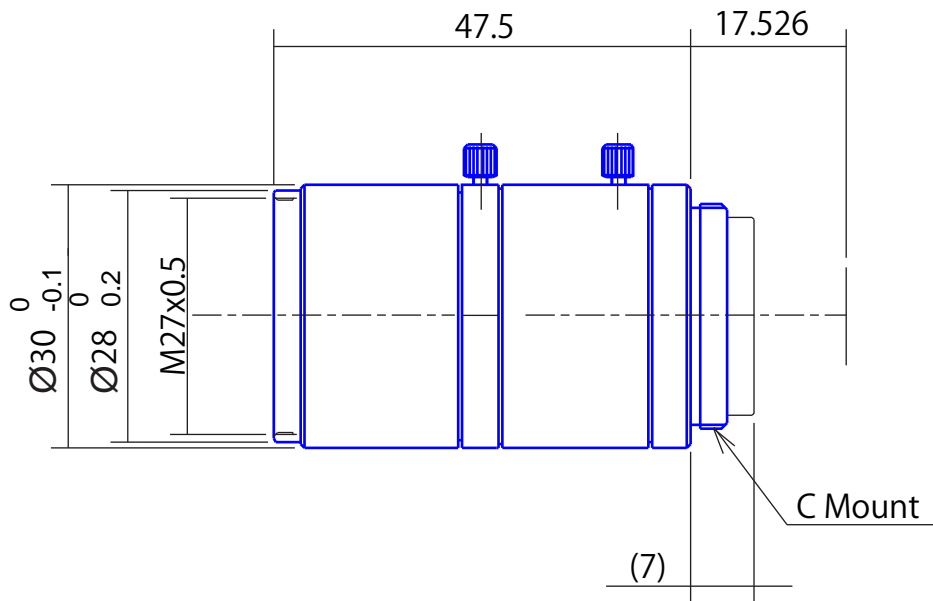


High Resolution Megapixel Lenses

Item No. GMTHR31214MCN

ITEM NO.		GMTHR31214MCN
Focal Length		12.3 (mm)
Iris Range		F1.45
Angle of View (H x V x D)	2/3"	39.59° x 30.17° x 48.38°
MOD		0.1 (m)
Filter Thread		M27.0, P=0.5
Dimension (D x L)		Ø30 x 47.5 (mm)
Weight		90 (g)
Notes		2megapixel