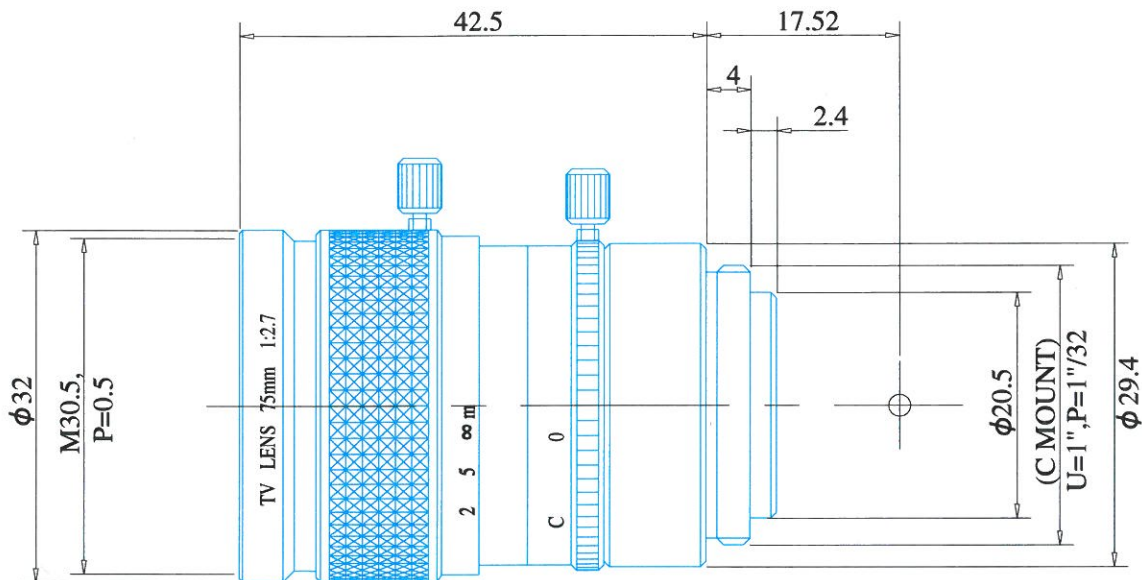


### Manual Lenses

### Item No. GM37527MCN



ITEM NO.		GM37527MCN	
Focal Length		75.0	(mm)
Iris Range		F2.7 - Close	
Angle of View (H x V x D)	1/2"	4.46° x 3.34° x 5.58°	
	2/3"	6.33° x 4.55° x 8.12°	
MOD		1.0	(m)
Filter Thread		M=30.5, P=0.5	
Dimension (D x L)		$\phi 32$ x 42.5	(mm)
Weight		55	(g)

## GOYO OPTICAL Inc.

### Japanese Office

3-8-31 HAMAZAKI,  
 ASAKA,  
 SAITAMA 351-0033,  
 JAPAN,  
 TEL:048-474-2235  
 FAX:048-474-7373  
 E-MAIL:info@goyooptical.com



Metric Industrial AB  
 Sjöängsvägen 5  
 192 72 SOLLENTUNA  
 Tel : 08-626 48 40  
[www.metric.se](http://www.metric.se)